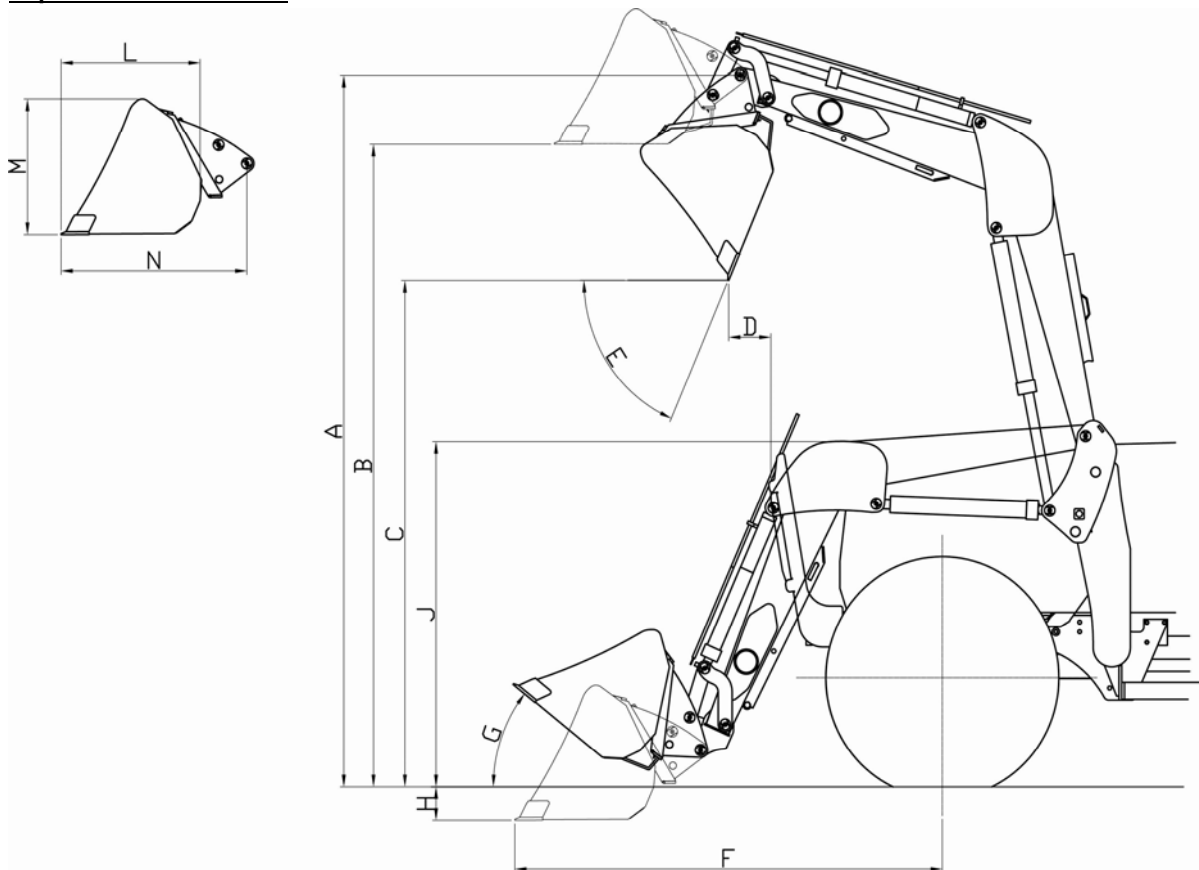


Specifications



* Specifications shown are based on ASAE Standards.
 * Specifications and design are subject to change without prior notice.

Loader Model : taesung 743

Printed : 2007-04-25

Tractor Model : Branson 10 & 20 series, PHAROS

Bucket Leveling : **Non-Self level type**

A. Maximum lift height to pivot pin	2,370 mm	93.3 "
B. Maximum lift height under level bucket	2,085 mm	82.1 "
C. Clearance with bucket dumped	1,550 mm	61.0 "
E. Maximum dump angle	85.0 °	85.0 °
G. Maximum rollback angle	50.0 °	50.0 °
H. Digging depth	250 mm	9.8 "
L. Bucket depth	591 mm	23.3 "
M. Bucket height	581 mm	22.9 "
N. Bucket length	801 mm	31.5 "
2. Lift capacity to maximum height—at pivot pin	924 kg	2,037 lb
3. Breakout force—at pivot pin	1,213 kgf	2,674 lb
5. Bucket width	1,574 mm	62.0 "
6. Bucket capacity	0.42 m ³	14.7 cu.ft
7. Boom cylinder	30x50x645x430ST mm	.2x2x25.4x16.9ST "
8. Bucket cylinder	30x50x968x365ST mm	.2x2x38.1x14.4ST "
13. Maximum pressure (Governing loader operation)	160 bar	2275.2 psi